

**For your child's health and Safety**

**WARNING!**

- **DO NOT heat a sealed bottle in a microwave.** Remove cap, teat, collar and any other attachment before heating in microwave.
- Before first use clean the product and perform at least one complete cycle.
- Always wash the product immediately after use.
- Inspect teat before each use and pull the feeding teat in all directions. Throw away at the first signs of damage or weakness.
- Never use feeding teats as a soother.
- Continuous and prolonged sucking of fluids will cause tooth decay even when non-sweetened fluids are used.
- Do not leave the teat in direct sunlight, near a source of heat or in disinfectant (sterilising solution) for longer than recommended, as this may weaken the teat.
- Heating food in microwave oven may produce localised high temperatures. Always check food temperature before feeding.
- Always add 80ml of water before use. If you put too little or too much water into the steriliser it will not operate correctly.
- Do not open whilst in use as this product contains boiling water. Beware of escaping steam from the vent holes in the lid.
- Always allow at least 3 minutes cooling time before opening.
- Take care when lifting the steriliser lid after use to avoid scalding.
- Keep all components out of reach of children.
- Never place items on top of the steriliser.
- Always unplug from the mains when not in use.
- Do not immerse the steriliser base in water.
- Children should be supervised to ensure that they do not play with this appliance.
- This appliance is not intended for use by persons (including children) with reduced physical, sensory or mental capabilities. Or lack of experience and knowledge, unless they have been given supervision or instruction concerning use of the appliance by a person responsible for their safety.
- If the supply cord is damaged, it must be replaced by the manufacturer, its service agent or similarly qualified persons in order to avoid a hazard.
- This appliance is intended to be used in household and similar applications such as: staff kitchen areas in shops, offices and other working environments; farm houses; by clients in hotels, motels and other residential type environments; bed and breakfast type environments.

**CAUTION**

To prevent damage to the appliance do not use alkaline cleaning agents when cleaning, use a soft cloth and mild detergent.

- Note:
- Breastfeeding is the natural method of feeding babies and breastmilk is the normal food for babies.
  - Introducing partial bottle feeding can have a negative effect on breastfeeding. Reversing the decision not to breastfeed can be difficult.

**CLEANING INSTRUCTIONS**

- After each use, pour away any remaining water from the steriliser base.
- You should descale your steriliser every 4 weeks to ensure it continues to work efficiently. Electric steam steriliser descaling products are widely available. Use according to the manufacturer's instructions.
- Do not use metal objects or scourers.
- Do not use bleach or chemical sterilising solutions/tablets in your steriliser or on products to be sterilised.
- Do not use abrasive or anti-bacterial materials to clean the steriliser.

**DESCALING your closer to nature® electric steam steriliser**

- Use one teaspoon of citric acid (available from most supermarkets) added to 100ml of water or 50ml white vinegar and 50ml water. Let the empty unit run through a cycle with this solution.
- **Note:** Mineral deposits (which are black in colour) will be released during descaling and are harmless.
- Repeat cycle an additional two times with water before sterilising with bottles/parts.

**PROBLEM SOLVING**

PROBLEM	CHECK
Excessive steam	Items incorrectly loaded in steriliser. Refer to Instructions for Use.
Bottles come out with mark	Steriliser needs descaling. Refer to Cleaning Instructions.
Cycle takes too long to complete	Too much water in steriliser. Use exactly 80ml

Ref No: 423200



is a registered trademark of Jackel Trade Marks Pty Limited.  
ACN 128 984 690

©2010 Distributed by Jackel ANZ Pty Limited  
ABN: 94 840 054 336

9A, 9 South Street  
PO Box 67, Rydalmere  
NSW 2116  
Australia



PO Box 64412  
Botany  
Manukau City 2163  
New Zealand

For further information on Tommee Tippee® products

[www.tommeetippee.com.au](http://www.tommeetippee.com.au)

[www.tommeetippee.co.nz](http://www.tommeetippee.co.nz)

Information Line: Australia 1800 890 011 New Zealand 0800 877 876

**Tommee Tippee®**



**closer to nature® electric steam steriliser**

Before using your steriliser, please ensure that you read these instructions thoroughly.

Please read and retain this important information for future reference.

Important Instructions for setting up your steriliser before use:

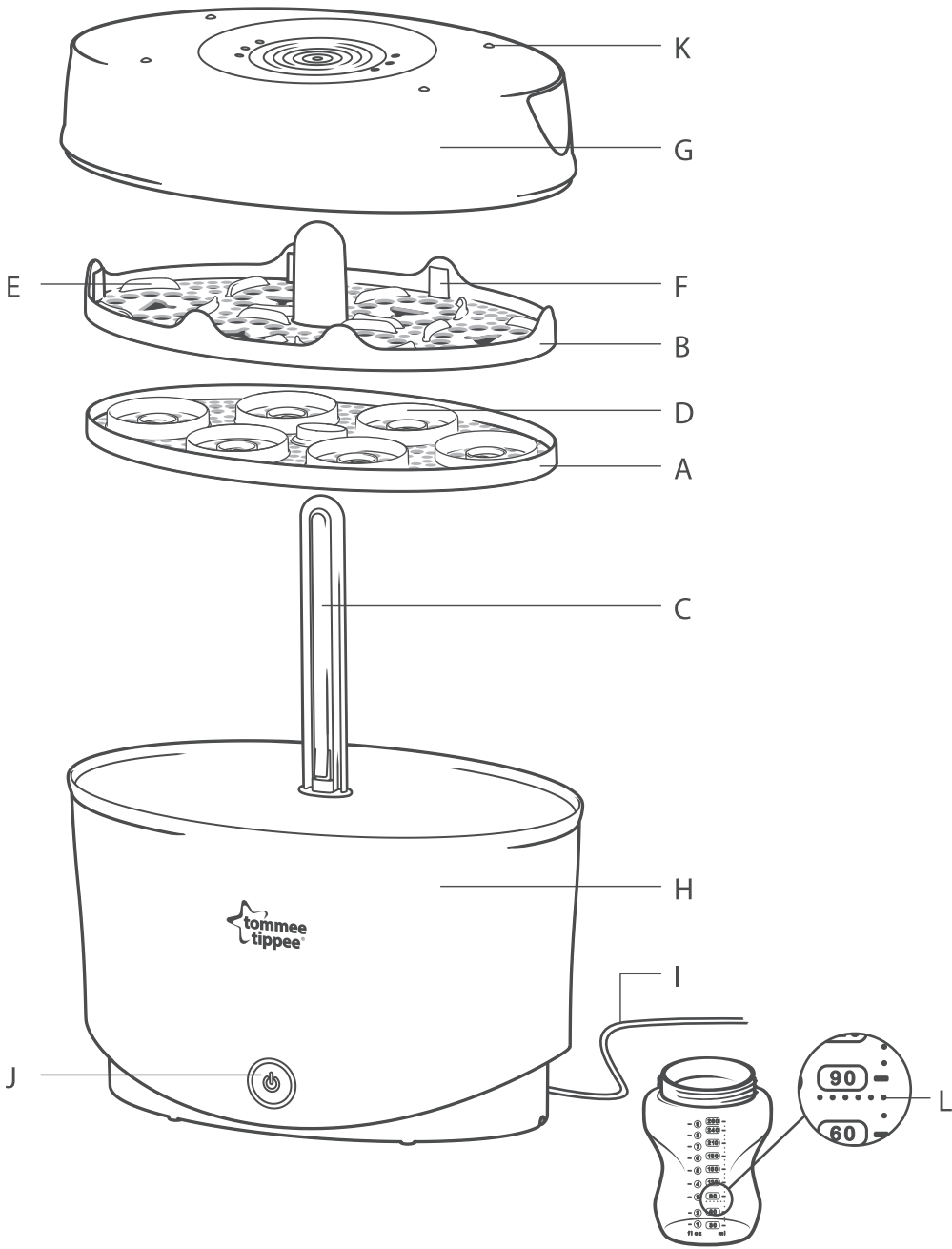
**This steriliser is designed for use with Tommee Tippee® closer to nature® bottles and feeding accessories (except bottle brush). The steriliser will hold up to 6 closer to nature® bottles, plus accessories.**

**PARTS GUIDE (see diagram)**

- A** Removable lower tray
- C** Central Stem
- E** Locator for closer to nature® screw ring and teat
- G** Lid
- I** Lead with plug
- K** Steam vents
- B** Removable upper tray
- D** Locator for closer to nature® bottle neck
- F** Locator for bottle hood
- H** Steriliser base
- J** Start switch and sterilising light.
- L** 80ml measurement on closer to nature® bottle

**USING THE ELECTRIC STEAM STERILISER**

- 1 Before sterilisation, wash all bottles and feeding accessories in warm soapy water or in a dishwasher (top rack only) to remove any milk residues. Separate all components for washing and reassemble teat and screw ring for sterilising.  
**WARNING:** DO NOT ALLOW PRODUCT TO COME INTO CONTACT WITH OIL BASED FOODS (e.g. OIL/TOMATO BASED SAUCES) AS STAINING WILL OCCUR.
- 2 Pour exactly 80ml of water into the steriliser base. Your closer to nature® bottles have a handy 80ml measure.  
**WARNING:** MORE THAN 80ML OF WATER IN THE STERILISER BASE WILL PROLONG THE CYCLE TIME. LESS THAN 80ML MAY NOT STERILISE ITEMS PROPERLY.
- 3 Assemble central stem and lower tray into the steriliser base.
- 4 Place the bottles neck downwards into the locators of the removable lower tray.
- 5 Fit the removable upper tray into place.
- 6 Place the assembled teat and screw ring in the locators of the removable upper tray. It is important not to have the hoods fitted onto the teat and screw ring.
- 7 Slot the hoods into the hood locators of the removable upper tray so that they hang over the teat and screw ring but are not fully assembled.
- 8 Place the lid onto the steriliser base.
- 9 Plug the lead into the mains power and switch on.
- 10 Press the start switch and it will light up amber. This shows that the steriliser is in its warm up phase and will automatically begin the sterilising phase when the appropriate temperature is reached.
- 11 The light will switch off when the sterilising phase has finished. Cycle time is 5 minutes.
- 12 Allow to cool for 3 minutes before opening the steriliser.
- 13 The contents will remain sterile for 24 hours if the steriliser is unopened.
- 14 Wash your hands thoroughly before handling sterilised items. Take care as the items will be hot.
- 15 Remove the sterilised items. The teat tongs can be used to remove the small items. The lid when removed and placed flat becomes another hygienic work surface for making up feeds.
- 16 Drain and rinse unit to prevent a build up of limescale.



**Tommee Tippee®**

## Closer to Nature® bottles and teats cleaning & sterilising

Suitable for all forms of sterilisation. Clean before first use by placing in boiling water for 5 minutes. This ensures hygiene. Always wash both bottle and teat immediately after use. Do not turn the teat inside out for cleaning. Damage could result. Use a teat brush.



✓ **TAKE EXTRA CARE WHEN CLEANING THE SENSITIVE ANTI-COLIC TEAT VALVE.**  
 In order to ensure optimum venting the teat valve is manufactured using a thinner silicone than the teat itself and therefore care needs to be taken during cleaning to ensure no damage is caused.



✗ **DO NOT USE a teat brush or any other implement to clean the anti-colic valve as this may split and damage it.**  
 However, performance of the teat may be affected if the anti-colic valve is not cleaned thoroughly after each use. Ensure valve is flushed with warm water during cleaning.

**DO NOT clean or allow to come into contact with solvents or harsh chemicals. Damage could result.**

## usage with sterilisers

The Tommee Tippee Closer to Nature teat and screw ring have been designed to be placed into the steriliser fully assembled, in order to avoid assembly problems after sterilisation.



**1**  
 After each use disassemble all parts of the bottle.



**2**  
 Wash thoroughly with hot soapy water.



**3**  
 Rinse all components using fresh water.



**4**  
 After rinsing re-assemble the teat and screw ring.



**5**  
 Place all components including the assembled teat and screw ring in steriliser. After sterilisation, the teat can then be picked up using the screw ring and used as normal.

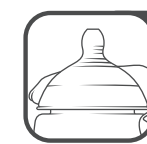
## assembly of your teat & screw ring

Due to the larger size of Tommee Tippee Closer to Nature teat and screw ring, care needs to be taken during assembly to ensure that the teat is in the correct position (a).

The area where the teat and screw ring meet should be flush (b).



**a**  
 The best method of assembly of the teat and screw ring is to carefully pull the teat through the ring in different directions to ensure the silicone lip fully 'clips' over the edge of the screw ring.



**b**  
 Though you may find assembly tricky at first, you will quickly develop a technique and find it as easy as a conventional teat and screw ring.