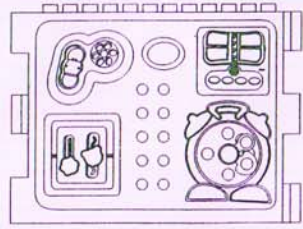
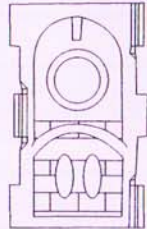


x3



x1



x4



x2



x2



x2



x3

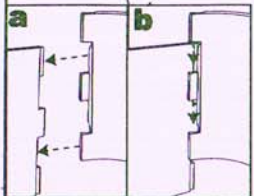
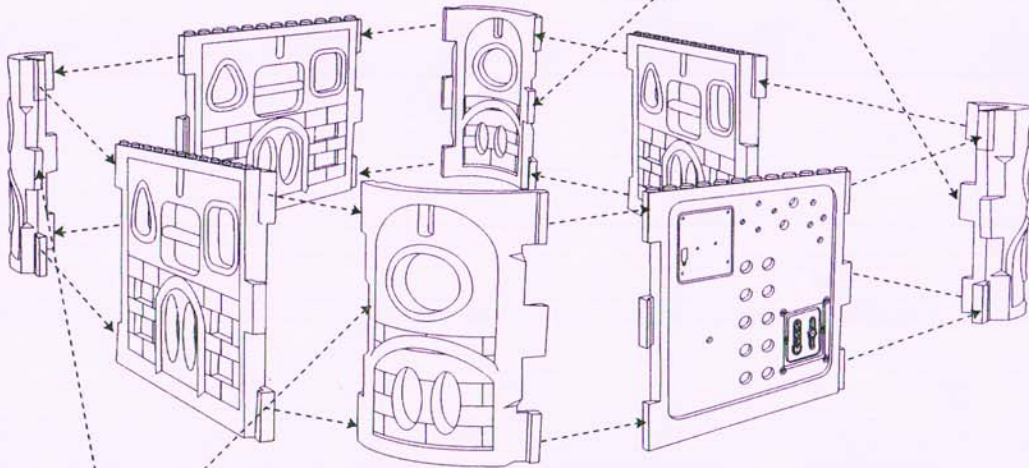
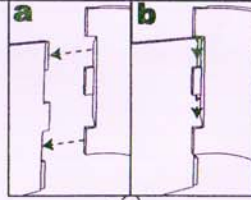


x3

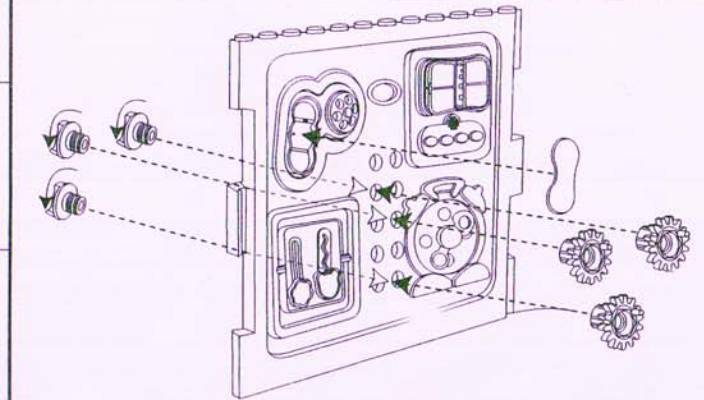
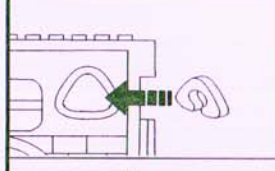
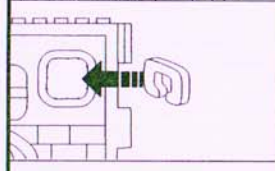
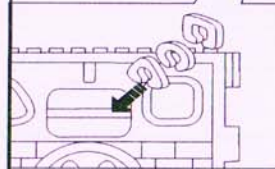
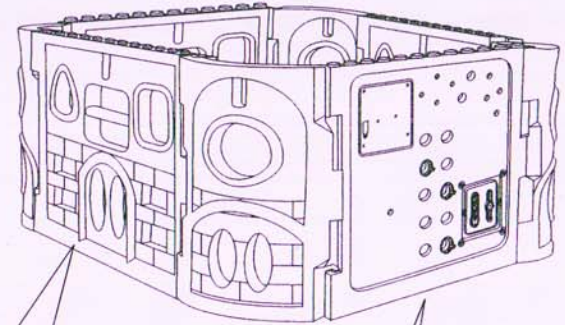


x1

1



2



PRP-19646-02 1YS008 ©
PAPER SIZE: 8.25 x 11.75 in